



Single-mode Fiber Laser

YLPS-1500-W

Single-module continuous fiber laser adopts modular design, integrated fully enclosed chassis, adopts high-efficiency 976nm bidirectional pumping technology, high EO conversion efficiency, high brightness, high reliability, small output fiber core diameter, with high beam quality, mainly used for high inverse material processing, laser fine cutting, precision welding processing.

Advantages

- Standard 19-inch chassis 1.5U height design, easy to integrate;
- High power output stability, support output power closed-loop control, high beam quality;
- The output core diameter can be customized to meet the application requirements of multiple scenarios;
- 976nm high efficiency pumping technology, EO efficiency $\geq 42\%$.

Applications

Can cooperate with laser processing head, galvanometer and robot, machine tool system integration, mainly used in high reflection material processing, laser fine cutting, precision welding processing, used in 3C, hardware, medical, automotive, aviation and other fields.

The professional performance laser series of GW is aimed at customers who have the pursuit of product performance indicators, the replacement of imported products or the product functionality requirements. Product design to the first-line brand, with better product performance indicators, perfect functions, design redundancy is greater, to provide customers with more value-added space.

- Modular design, integrated fully enclosed chassis
- High beam quality, high laser output stability, and higher integration
- ABR anti-reflection design, suitable for a variety of high reflective materials processing applications
- The output core diameter can be customized to meet the application requirements of multiple scenarios



EO conversion
efficiency $\geq 42\%$



Easily process
high anti materials



$M^2 \leq 1.3$

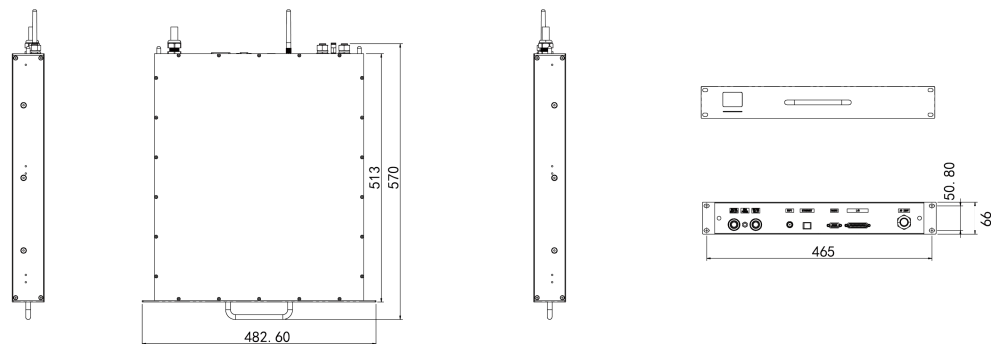


Custom waveform
output

Single-mode Fiber Laser

YLPS-1500-W

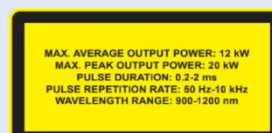
Product specification parameter	YLPS-1500-W
Output Power (watt)	1500
Operating Mode	CW/Pulse/Built-in program
Output Power Range (%)	1-100
Output Laser Wavelength (nm)	1070±10
Beam Quality	$M^2 \leq 1.3$
Interface Type	QBH
Delivery Fiber Core Diameter (conventional configuration, optional)	20um
Cooling Method	Water-cooling
Ambient Temperature Range (°C)	5-45
Input Voltage	220VAC/50Hz
Dimension (mm)	513 x 482 x 66 (L×W×H)
Weight (kg)	< 20



Legal Notice: All product information is believed to be accurate and subject to change without notice.

Legal statement:

GW smart fiber laser products are designed in strict accordance with safety regulations. All production is in accordance with international standards and regulations currently in force in the country. Each GW laser has a warning sign as shown in the figure.



GW(Shanghai) Laser Technology Co.,Ltd. Tel: +86 2139721122 Email: sales@gwlaser.tech

Web: www.gwlaser.tech Addr: Building 5-1, No.398, Shuanglian Road, Xujing Town, Qingpu District, Shanghai