



High Brightness Fiber Laser

YLPS-500-W-S

Smaller output core diameter, robust and classic unibody design with thousands lasers deployed around the world. Easy to maintain, stable performance with minimal power degradation. High brightness with excellent beam quality, high electro-optical efficiency.

Advantages

- 19-inch 1.5U rack design cabinet, easier integration
- Power closed-loop control, more stability and higher beam quality
- The output core diameter is small, and the beam quality is excellent, $M^2 \leq 1.1$

Applications

Can be used in stainless steel, carbon steel, aluminum, copper, and other metal materials cutting, welding, drilling, sheet metal cutting, hardware processing, home appliance manufacturing, 3C and other fields widely used.

The professional performance laser series of GW is aimed at customers who have the pursuit of product performance indicators, the replacement of imported products or the product functionality requirements. Product design to the first-line brand, with better product performance indicators, perfect functions, design redundancy is greater, to provide customers with more value-added space.

- Modular design, integrated fully enclosed chassis
- Excellent beam quality, high laser output stability and higher integration
- ABR anti-reflection design, suitable for a variety of high reflective materials processing applications
- The output core diameter can be customized to meet the application requirements of multiple scenarios



EO conversion efficiency $\geq 42\%$



Easily process high anti materials



$M^2 \leq 1.1$

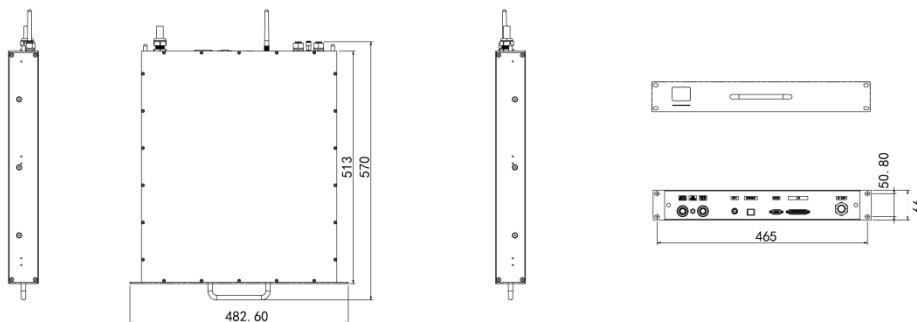


Custom waveform output

High Brightness Fiber Laser

YLPS-500-W-S

Product specification parameter	YLPS-500-W-S
Output Power (watt)	500
Operating Mode	CW/Pulse/Built-in program
Output Power Range (%)	1-100
Output Laser Wavelength (nm)	1070±10
Beam Quality	M2≤1.1
Interface Type	QBH/QCS
QCS output collimated spot diameter	5mm、7mm and 12mm (Optional)
QBH output transmission cable core diameter	10um and 14um (Optional)
Power Stability	< ±1.2%
Maximum modulation frequency	50kHz
Electro-optical signal delay	< 5us
Cooling Method	Water-cooling
Ambient Temperature Range (°C)	5-45
Input Voltage	220VAC/50Hz
Dimension (mm)	570 x 482 x 66 (L×W×H)
Weight (kg)	< 15

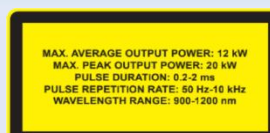


Legal Notice: All product information is believed to be accurate and subject to change without notice.

Legal statement:

GW smart fiber laser products are designed in strict accordance with safety regulations.

All production is in accordance with international standards and regulations currently in force in the country. Each GW laser has a warning sign as shown in the figure.



GW(Shanghai) Laser Technology Co.,Ltd. Tel: +86 2139721122 Email: sales@gwlasertech

Web: www.gwlasertech Addr: Building 5-1, No.398, Shuanglian Road, Xujing Town, Qingpu District, Shanghai