



Multi-mode Fiber Laser

YLLM-20000-W

Based on the robust 3kW single modules, newly updated design with AC powered laser modules, easier to maintain, better power stability, lighter weight and smaller form factor.

Advantages

- New platform, smaller volume, higher integration;
- Multi-module design, stable operation, less failure;
- Power fluctuation less than 5%, response speed <25us, photoelectric efficiency $\geq 40\%$.

Applications

Widely used in laser cutting, laser welding, laser cladding, laser brazing, laser surface heat treatment, etc., the application of hardware, medical, automotive, shipbuilding, aviation, construction machinery and other fields.

GW's economical laser series is oriented to the user group with the ultimate cost performance requirement, taking economy as the core, taking into account high quality and low price, which can fully meet the daily production and use needs of customers.

- Multi-module design, a single module can still run sustainably when the exception is closed
- CHF technology, improve cutting speed and meet cutting consistency requirements
- ABR anti-reflection design, suitable for a variety of high reflective materials processing applications
- The output core diameter can be customized to meet the application requirements of multiple scenarios



EO conversion efficiency $\geq 42\%$



Easily process high anti materials



AC-driven laser modularity

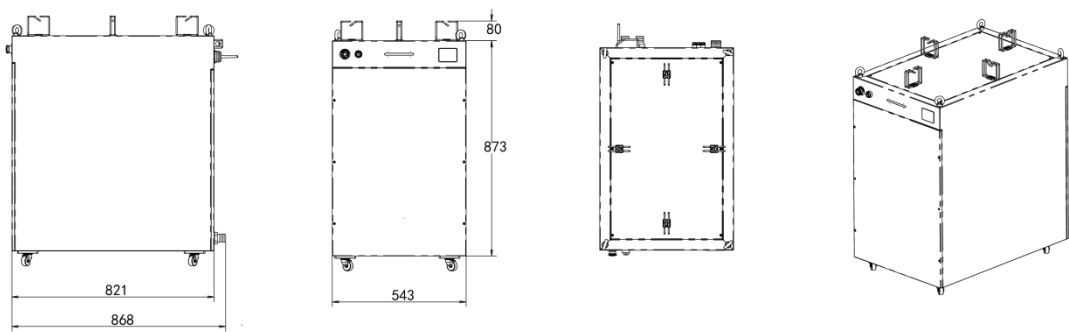


Custom waveform output

Multi-mode Fiber Laser

YLLM-20000-W

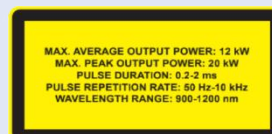
Product specification parameter	YLLM-20000-W
Output Power (watt)	20000
Operating Mode	CW/Pulse
Output Power Range (%)	1-100
Output Laser Wavelength (nm)	1070±10
Beam Quality	BPP≤5
Interface Type	Q+
Delivery Fiber Core Diameter (conventional configuration, optional)	100um
Cooling Method	Water-cooling
Ambient Temperature Range (°C)	5-45
Input Voltage	380VAC/50Hz
Dimension (mm)	873 x 543 x 868 (L×W×H)
Weight (kg)	370



Legal Notice: All product information is believed to be accurate and subject to change without notice.

Legal statement:

GW smart fiber laser products are designed in strict accordance with safety regulations. All production is in accordance with international standards and regulations currently in force in the country. Each GW laser has a warning sign as shown in the figure.



GW(Shanghai) Laser Technology Co.,Ltd. Tel: +86 2139721122 Email: sales@gwlaser.tech
Web: www.gwlaser.tech Addr: Building 5-1, No.398, Shuanglian Road, Xujing Town, Qingpu District, Shanghai