



Semiconductor Laser

DLPS-4000-W

The high-power fiber-coupled semiconductor laser system has a higher photoelectric conversion efficiency than the fiber laser, is a compact and efficient high-power laser, maintenance-free, suitable for use with automation equipment, laser flexible processing applications.

Advantages

- Electro-optical conversion rate of more than 50%, energy saving and environmental protection;
- The output wavelength is short, the laser absorption rate of the workpiece is higher;
- Spot energy evenly distributed, flat-top beam output;
- Mode can switch pulse mode and continuous mode;
- Diverse compatibility can be directly integrated into user devices, a wide range of applications.

Applications

It can be used in cladding, surface heat treatment and brazing of metal materials, etc., applied in construction machinery, automobile body in white manufacturing, hardware, ships, aviation and other fields.

The professional performance laser series of GW is aimed at customers who have the pursuit of product performance indicators, the replacement of imported products or the product functionality requirements. Product design to the first-line brand, with better product performance indicators, perfect functions, design redundancy is greater, to provide customers with more value-added space.

- 976nm high efficiency bidirectional pumping technology, high electro-optical conversion efficiency
- Flat-top beam output, spot energy evenly distributed
- The output core diameter can be customized to meet the application requirements of multiple scenarios



EO conversion
efficiency $\geq 50\%$



The energy distribution
of the spot is uniform



High absorptivity
of the material

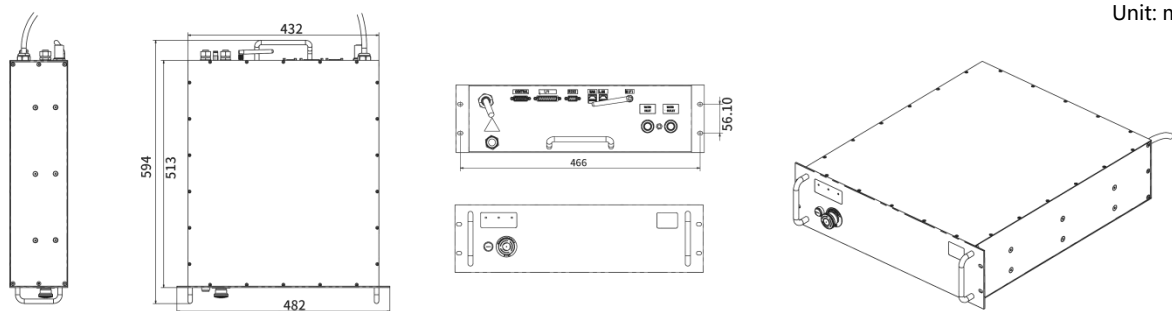


Long life and stability

Semiconductor Laser

DLPS-4000-W

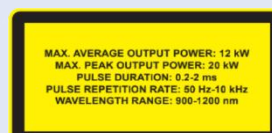
Product specification parameter	DLPS-4000-W
Output Power (watt)	4000
Operating Mode	CW/Pulse/self-set pulse mode
Output Power Range (%)	1-100
Output Laser Wavelength (nm)	976±10
Beam Quality	BPP≤25
Interface Type	QBH
Delivery Fiber Core Diameter (conventional configuration, optional)	400um
Cooling Method	Water-cooling
Ambient Temperature Range (°C)	5-35
Input Voltage	380VAC/50Hz
Dimension (mm)	513 x 482 x 132 (L×W×H)
Weight (kg)	< 45



Legal Notice: All product information is believed to be accurate and subject to change without notice.

Legal statement:

GW smart fiber laser products are designed in strict accordance with safety regulations. All production is in accordance with international standards and regulations currently in force in the country. Each GW laser has a warning sign as shown in the figure.



GW(Shanghai) Laser Technology Co.,Ltd. Tel: +86 2139721122 Email: sales@gwlaser.tech

Web: www.gwlaser.tech Addr: Building 5-1, No.398, Shuanglian Road, Xujing Town, Qingpu District, Shanghai