



# AAC CW Fiber Laser

## YLIS-1000-A

Adopt the world's first active air conditioning direct cooling technology, accurate temperature control, good heat dissipation effect, high laser stability, no water cooling system trouble. The product can achieve 24 hours continuous and stable operation, the product design redundancy is high, and the beam quality is excellent.

### Advantages

- AAC technology, without water chiller, maintenance-free
- Ambient temperature -20~50°C , non-stop operation for 24 hours
- Higher integration and easier installation
- Lower power consumption and more energy-saving

### Applications

Can cooperate with laser processing head, galvanometer and robot, machine tool system integration, do laser fine cutting, precision welding processing, used in 3C, hardware, medical, automotive, aviation and other fields.

GW's standard certification laser series is based on professional performance, and the design standards pursue parity with international first-line brands. For the international market and high-end user groups, the product design meets the relevant international certification standards, and provides global service network protection services.

- AAC technology, accurate temperature control
- Ultra-low power attenuation, stable performance, double durability
- Excellent beam quality, anti-reflection design, suitable for a variety of high reflective materials processing applications
- YLIS Series of standard certified products through the CE, FDA, TUV Rheinland certification, global service network joint warranty



EO conversion efficiency  $\geq 42\%$



Easily process high anti materials



SMAT Intelligent operating system

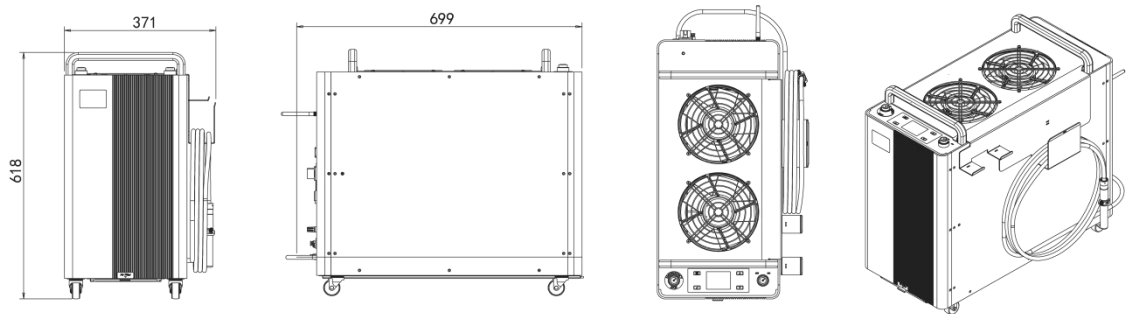


can run continuously for 24h

# AAC CW Fiber Laser

## YLIS-1000-A

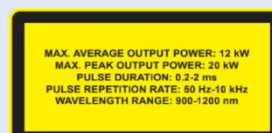
Product specification parameter	YLIS-1000-A
Output Power (watt)	1000
Operating Mode	CW/Pulse/Built-in program
Output Power Range (%)	1-100
Output Laser Wavelength (nm)	1070±10
Beam Quality	$M^2 \leq 1.4$
Interface Type	QBH
Delivery Fiber Core Diameter (conventional configuration, optional)	25um
Cooling Method	Active air cooling
Ambient Temperature Range (°C)	-20~50
Input Voltage	220VAC/50Hz
Dimension (mm)	699 x 371 x 573 (L×W×H)
Weight (kg)	< 60



Legal Notice: All product information is believed to be accurate and subject to change without notice.

### Legal statement:

GW smart fiber laser products are designed in strict accordance with safety regulations. All production is in accordance with international standards and regulations currently in force in the country. Each GW laser has a warning sign as shown in the figure.



GW(Shanghai) Laser Technology Co.,Ltd. Tel: +86 2139721122 Email: sales@gwlaser.tech

Web: [www.gwlaser.tech](http://www.gwlaser.tech) Addr: Building 5-1, No.398, Shuanglian Road, Xujing Town, Qingpu District, Shanghai